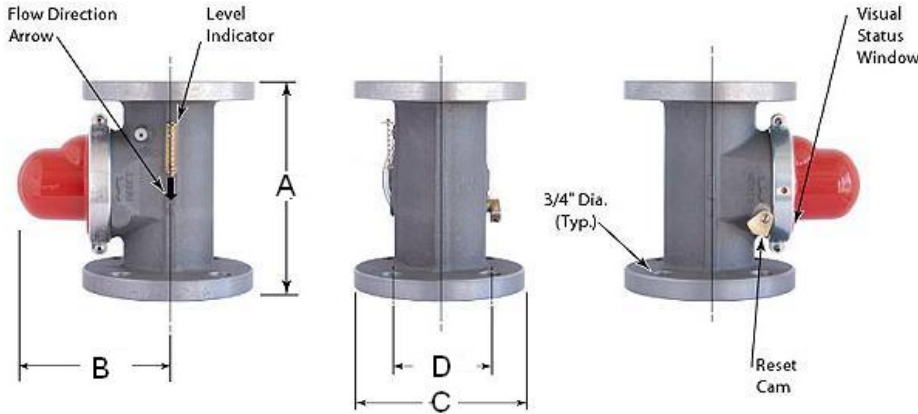




Koso/California Valve  
Pacific Seismic Products

# Seismic Shut-off Valve

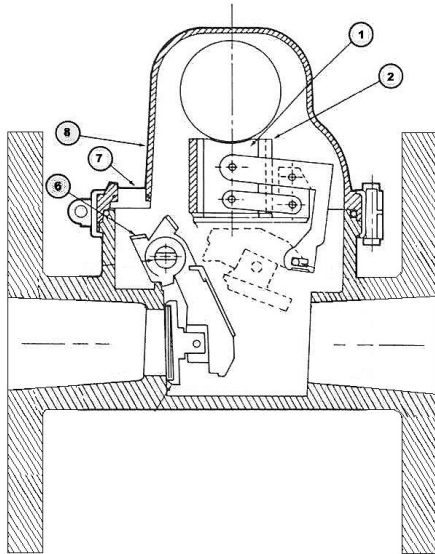


**Vertical - Top Inlet  
High Pressure  
Flanged Body  
2" - 3" - 4"**

Pipe Size	Model No.	Max Pressure	Length A	Height B	Dia. C	Dia. D	No. Holes
2"	EV-VT314-60	60 PSI	7-1/8"	5-3/8"	6"	4-3/4"	4
3"	EV-VT315-60	60 PSI	7-1/2"	5-3/8"	7-1/2"	6"	4
4"	EV-VT316-60	60 PSI	7-1/2"	6-3/8"	9"	7-1/2"	8

## Specifications & Response To Seismic Disturbance

- Manual Reset
- High flow efficiency with minimal pressure drop
- Positive closure, soft seal seating
- Visual open-close indicator
- Made in the USA
- Meets ASCE 25-97



1. Stationary Post, supporting ball
2. Reacting cylinder
3. Rolling latch (no sliding friction)
4. Soft seat
5. Manual reset
6. Position indicator
7. Visual open-close indicator
8. Bonnet

The valve shall close within five seconds when subjected to a horizontal, sinusoidal oscillation with the following characteristics:

Peak Acceleration	Period
1. 0.7G	0.13 Seconds
2. 0.4G	0.2 Seconds
3. 0.3G	0.4 Seconds
4. 0.25G	1.00 Seconds

The valve shall not close when subjected for five seconds to each of three horizontal, sinusoidal oscillations with the following characteristics:

Peak Acceleration	Period
1. 0.4G	0.1 Seconds
2. 0.2G	0.2 Seconds
3. 0.15G	0.40 Seconds
4. 0.10G	1.00 Seconds



Miners & Pisani, Inc.

California  
3551 Arden Road, Hayward, CA 94545  
Tel: 510-352-9040 ° Fax: 510-352-2307  
800-446-8181

Washington  
P.O. Box 1298, Issaquah, WA 98027  
Tel: 425-392-4620 ° Fax: 425-557-0384  
800-528-3813

## Capacity Charts

Capacity charts represent CFH of natural gas at 60° F

Use the following charts to determine the approximate loss of pressure (in inches water column) through the valve.

1. Identify maximum inlet pressure to the valve.
2. Identify maximum Cubic Feet/Hour - CFH
3. See Column 1 for the pressure drop.

<b>2" EV-VT314-60</b>		<b>Capacity - CFH</b>						
$C_v = 164$								
314-60								
Delta P	Operating Pressure							
"W.C.	1 PSI	2 PSI	5 PSI	10 PSI	20 PSI	40 PSI	60 PSI	
<b>0.5</b>	6,469	6,672	7,247	8,115	9,620	12,079	14,116	
<b>1</b>	9,143	9,430	10,244	11,473	13,601	17,080	19,961	
<b>2</b>	12,915	13,322	14,474	16,213	19,225	24,147	28,223	
<b>5</b>	20,351	20,996	22,823	25,579	30,350	38,142	44,592	

<b>3" EV-VT315-60</b>		<b>Capacity - CFH</b>						
$C_v = 336$								
315-60								
Delta P	Operating Pressure							
"W.C.	1 PSI	2 PSI	5 PSI	10 PSI	20 PSI	40 PSI	60 PSI	
<b>0.5</b>	13,253	13,669	14,847	16,627	19,709	24,748	28,921	
<b>1</b>	18,732	19,321	20,988	23,505	27,866	34,993	40,896	
<b>2</b>	26,461	27,294	29,654	33,217	39,388	49,471	57,882	
<b>5</b>	41,694	43,017	46,759	52,406	62,181	78,144	91,359	

<b>4" EV-VT316-60</b>		<b>Capacity - CFH</b>						
$C_v = 480$								
316-60								
Delta P	Operating Pressure							
"W.C.	1 PSI	2 PSI	5 PSI	10 PSI	20 PSI	40 PSI	60 PSI	
<b>0.5</b>	18,933	19,527	21,210	23,752	28,156	35,354	41,316	
<b>1</b>	26,760	27,601	29,982	33,579	39,808	49,990	58,423	
<b>2</b>	37,801	38,992	42,363	47,453	56,268	70,673	82,603	
<b>5</b>	59,563	61,452	66,799	74,866	88,830	111,634	130,513	



Miners & Pisani, Inc.

California  
3551 Arden Road, Hayward, CA 94545  
Tel: 510-352-9040 ° Fax: 510-352-2307  
800-446-8181

Washington  
P.O. Box 1298, Issaquah, WA 98027  
Tel: 425-392-4620 ° Fax: 425-557-0384  
800-528-3813