



GOVERNOR

Line Pressure Regulators

2 PSIG

Standard Model



Main Features

- CSA 6.22a-2005 ANSI Z21.80A2005 Class I for outlet pressures up to 14" W.C. Certified
- Integral Vent Limiter
- CSA approved External Vent Limiter – no vent line required**
- Positive 100% bubble tight lock up Inlet and Outlet test ports
- 500 to 1 Turndown

Specifications

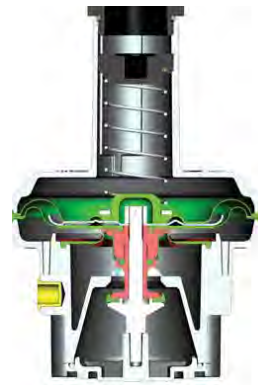
- Suitable for use with Natural Gas, LPG, and other non-corrosive, clean gas
- Inlet Pressure: 3" W.C. to 2 PSIG CSA approved
- Max. Inlet 7.25 PSIG for non-CSA
- Outlet pressure: 2" W.C. to 14" W.C. for CSA
Outlet pressure: 2" W.C. to 4.25 PSIG for non-CSA
- Temperature range: -40°F to 150°F
- Connections: 1/2" thru 4"
- Maximum Emergency Inlet Exposure Pressure: 80 PSIG
- Suitable for Indoor or Outdoor Installation

* As Approved by Local Codes and Standards

** Brass Vent Limiters must be removed for outdoor installation **

Standard Model

Inlet Pressure Range: 3" W.C. to 2 PSIG



Vent Sizes

- 1/4" NPT 1/2" – 1"
- 1/2" NPT 1 1/4" – 4"

Outlet Spring Range

- Black 6" W.C. to 14" W.C.*

*Spring is CSA outlet pressure certified

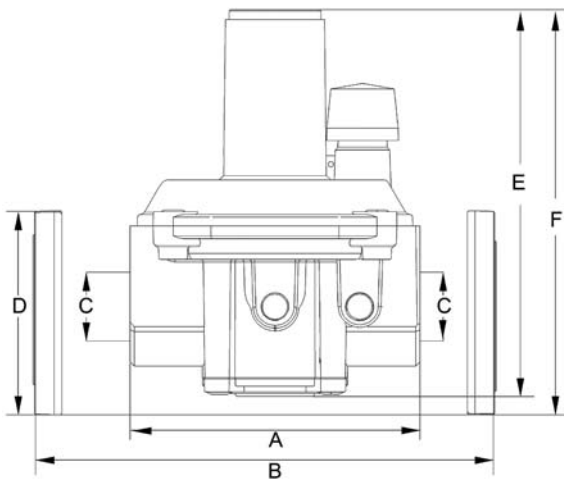
CAPACITY IN CFH FOR .60 SPECIFIC GRAVITY GAS WITH FILTER (CAPACITY WITHOUT FILTER IN BRACKETS)

	Outlet Pressure Set Point		Operating Inlet Pressure		
			14" W.C.	1 PSIG	2 PSIG
31051 ½"	8" W.C.	306 (360)	552 (649)	785 (923)	
	11" W.C.	218 (256)	511 (601)	788 (927)	
31052 ¾"	8" W.C.	369 (450)	665 (812)	946 (1,154)	
	11" W.C.	263 (321)	616 (751)	950 (1,158)	
31053 1"	8" W.C.	495 (585)	893 (1,055)	1,270 (1,500)	
	11" W.C.	353 (417)	826 (977)	1,274 (1,506)	
31150 ½" High Capacity	8" W.C.	675 (855)	1,218 (1,543)	1,731 (2,193)	
	11" W.C.	481 (609)	1,127 (1,428)	1,738 (2,201)	
31151 ¾" High Capacity	8" W.C.	788 (1,080)	1,421 (1,949)	2,020 (2,771)	
	11" W.C.	561 (770)	1,315 (1,803)	2,028 (2,781)	
31152 1" High Capacity	8" W.C.	990 (1,283)	1,786 (2,314)	2,540 (3,290)	
	11" W.C.	706 (914)	1,653 (2,142)	2,549 (3,302)	
31153 1¼"	8" W.C.	2,071 (3,062)	3,735 (5,522)	5,311 (7,851)	
	11" W.C.	1,476 (2,183)	3,457 (5,110)	5,330 (7,880)	
31154 1½"	8" W.C.	2,567 (3,197)	4,629 (5,766)	6,581 (8,197)	
	11" W.C.	1,829 (2,279)	4,284 (5,336)	6,605 (8,228)	
31155 2"	8" W.C.	5,179 (5,854)	9,339 (10,557)	13,278 (15,009)	
	11" W.C.	3,691 (4,173)	8,643 (9,770)	13,327 (15,065)	
31156/F 2½"	8" W.C.	6,530 (7,431)	11,775 (13,399)	16,741 (19,051)	
	11" W.C.	4,655 (5,297)	10,898 (12,401)	16,803 (19,121)	
31157/F 3"	8" W.C.	7,205 (9,007)	12,993 (16,242)	18,473 (23,092)	
	11" W.C.	5,136 (6,240)	12,025 (15,032)	18,542 (23,177)	
31158/F 4"	8" W.C.	12,835 (15,762)	23,145 (28,424)	32,906 (40,411)	
	11" W.C.	9,149 (11,236)	21,420 (26,306)	33,027 (40,560)	

NOTE: Flow rates are actual stated recommended capacities, for optimal performance.

For additional sizing, visit www.GasInside.com • 888.618.8787

GOVERNOR Standard Model - Dimensions



DIMENSIONS (IN INCHES)

Model #	Size	A	B	C	D	E	F	Weight (Lbs)
31051	1/2" NPT	4.29	-	1/2	-	5.59	-	1.54
31052	3/4" NPT	4.29	-	3/4	-	5.59	-	1.54
31053	1" NPT	4.29	-	1	-	5.59	-	1.54
31150	1/2" NPT	5.43	-	1/2	-	6.89	-	2.75
31151	3/4" NPT	5.28	-	3/4	-	6.89	-	2.75
31152	1" NPT	5.28	-	1	-	6.89	-	2.75
31153	1 1/4" NPT	7.64	-	1 1/4	-	10	-	7.5
31154	1 1/2" NPT	7.64	-	1 1/2	-	10	-	7.5
31155	2" NPT	9.29	-	2	-	12.44	13.74	12.34
31156/F	2 1/2" FLANGED	-	16.9	3	ANSI 150	-	17.09	27.56
31157/F	3" FLANGED	-	16.9	3	ANSI 150	-	17.09	27.56
31158/F	4" FLANGED	-	16.9	4	ANSI 150	-	19.76	27.56