

Thread	Model No.	Max Pressure	Length A	Height B	Width C
3/4"	EV310-60	60 PSI	4"	4 3/4"	3 7/8"
1"	EV311-60	60 PSI	4"	4 3/4"	3 7/8"
1 1/4"	EV312-60	60 PSI	5 1/4"	5"	3 7/8"
1 1/2"	EV313-60	60 PSI	5 1/4"	5"	3 7/8"
2"	EV314-60	60 PSI	5 5/8"	5"	3 7/8"
2-1/2"	EV318-60	60 PSI	8 1/8"	5 5/8"	4 3/4"
3"	EV315-60	60 PSI	8 1/8"	5 5/8"	4 3/4"
4"	EV316-60	60 PSI	8 3/8"	6 1/4"	5 3/4"

Specifications & Response To Seismic Disturbance

- Manual Reset
- High flow efficiency with minimal pressure drop
- Positive closure, soft seal seating
- Visual open-close indicator
- Made in the USA
- Meets ASCE 25-06

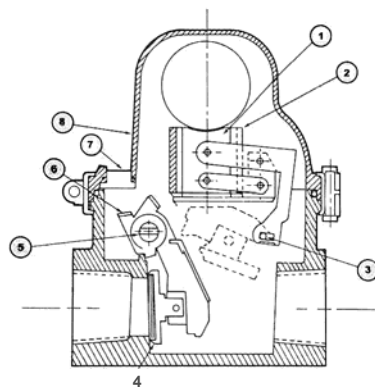


The valve shall close within five seconds when subjected to a horizontal, sinusoidal oscillation with the following characteristics:

Peak Acceleration	Period
1. 0.7G	0.13 Seconds
2. 0.4G	0.2 Seconds
3. 0.3G	0.4 Seconds
4. 0.25G	1.00 Seconds

The valve shall not close when subjected for five seconds to each of three horizontal, sinusoidal oscillations with the following characteristics:

Peak Acceleration	Period
1. 0.4G	0.1 Seconds
2. 0.2G	0.2 Seconds
3. 0.15G	0.40 Seconds
4. 0.10G	



1. Stationary Post, supporting ball
2. Reacting cylinder
3. Rolling latch (no sliding friction)
4. Soft seat
5. Manual reset
6. Position indicator
7. Visual open-close indicator
8. Bonnet

TYPICAL INSTALLATION

