

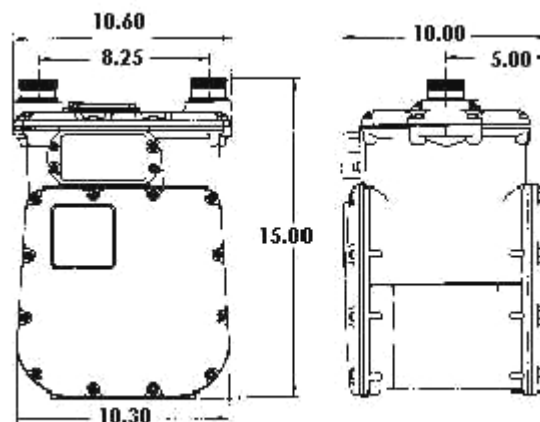


AC-630

The American Meter AC-630 diaphragm gas meter provides high capacity in a compact design. Long-term performance is proven with 40 years of craftsmanship that have gone into its development.

Rated Gas Capacity For 0.60 S.G. Gas		
Inlet Pressure PSIG	Inches W.C. Differential	Capacity SCFH
.25	½"	630 ¹
.25	2"	1320
1	2"	1340
2	2"	1390
5	2"	1515
10	2"	1710
15	2"	1890
20	2"	2010
25	2"	2160
1 - Propane: 397 cfh		

- Die-cast aluminum case
- Molded duramic diaphragms
- Smaller meter profile
- Superior corrosion resistance
- Permanent lube bearings
- Automatic meter reader compatibility
- Temperature compensation available from -30°F to 140°F
- 25 PSI MAOP
- 20 LT, 30 LT, 45 LT and #3-4 Sprague connection sizes
- Full warranty
- Pointer or odometer index



WEIGHT = 21 lbs.