

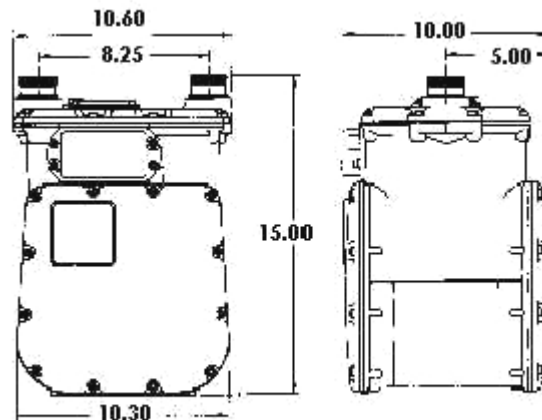


AL-425

The AL-425 diaphragm gas meter by American Meter is ideally suited for larger residential or small commercial/industrial installations. It's 10 PSIG or 25 PSIG MAOP case-rating affords the opportunity to utilize pressure factor measurement.

Rated Gas Capacity For 0.60 S.G. Gas		
Inlet Pressure PSIG	Inches W.C. Differential	Capacity SCFH
.25	½"	425 ¹
.25	2"	898
1	2"	920
2	2"	955
5	2"	1038
10	2"	1154
15	2"	1269
20	2"	1367
25	2"	1462
1 - Propane: 268 cfh		

- One-piece, die-cast aluminum case
- Oil impregnated, self-lubricating bearing
- Molded duramic diaphragms
- Rigid, reinforced flag rods
- Graphite-filled, phenolic valves
- Long-life grommet seals
- Automatic meter reader compatibility
- Temperature compensation available from -30°F to 140°F
- 10 or 25 PSI MAOP
- 20 LT, 30 LT, 45 LT and #3-4 Sprague connection sizes
- Full warranty
- Pointer or odometer index



WEIGHT = 21 lbs.