

AMC Quality System

QMI is Accredited by:



ISO 9002 Certified

Dutch Council
for Accreditation

AMERICAN METER

Models 1800/2000 Regulators

Data Sheet



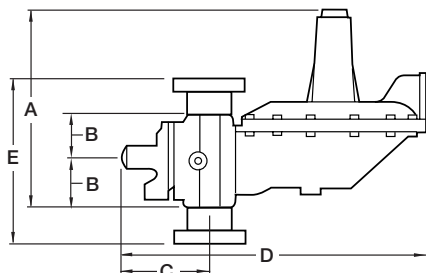
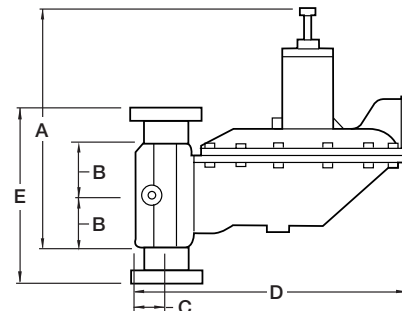
1800 Series low pressure models have a maximum inlet pressure of 125 psi and offer outlet pressures ranging from 3.5" w.c. to 5 psi. 2000 Series high pressure models allow a maximum inlet pressure of 125 psi and outlet pressures ranging from .5 psi to 15 psi. The 1800 Series can be ordered as Full Relief, Partial Relief or No Relief Regulator as shown in the table. 2000 Series Regulators are non-relieving. Both models are available with Overpressure Shutoff, Underpressure Shutoff and monitor capabilities.

Available Models

Low Pres. Model Numbers	Description	Dimensions				
		A	B	C	D	*E
1803	Standard Regulator	12.75"	3"	1.75"	16"	10.5"
1803M	Standard Monitor Regulator	12.75"	3"	1.75"	16"	10.5"
1813	Partial Internal Relief Regulator	12.75"	3"	1.75"	16"	10.5"
1813B	Full Capacity Internal Relief Regulator	12.75"	3"	1.75"	16"	10.5"
1823	Underpressure Shutoff	12.75"	3"	1.75"	16"	10.5"
1833	Underpressure Shutoff with Partial Internal Relief	12.75"	3"	1.75"	16"	10.5"
1833B	Underpressure Shutoff with Full Internal Relief	12.75"	3"	1.75"	16"	10.5"
1843	Overpressure Shutoff with Partial Internal Relief	12.75"	3"	5.62"	19.87"	10.5"
1843B	Overpressure Shutoff with Full Capacity Internal Relief	12.75"	3"	5.62"	19.87"	10.5"
1853	Overpressure and Underpressure Shutoff with Partial Internal Relief	12.75"	3"	5.62"	19.87"	10.5"
1853B	Overpressure and Underpressure Shutoff with Full Capacity Internal Relief	12.75"	3"	5.62"	19.87"	10.5"
1883	Overpressure Shutoff	12.75"	3"	5.62"	19.87"	10.5"
1883M	Overpressure Shutoff with Monitor	12.75"	3"	5.62"	19.87"	10.5"
1893	Overpressure and Underpressure Shutoff	12.75"	3"	5.62"	19.87"	10.5"

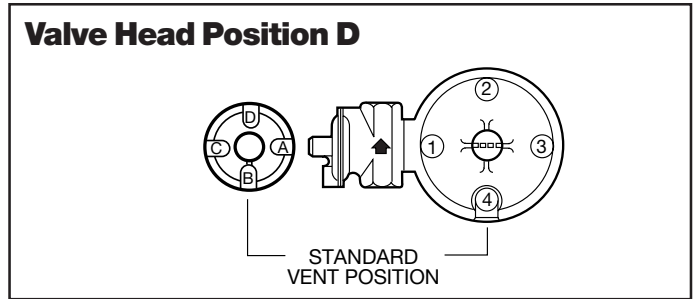
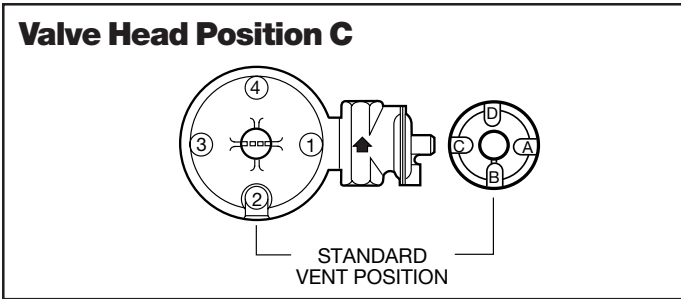
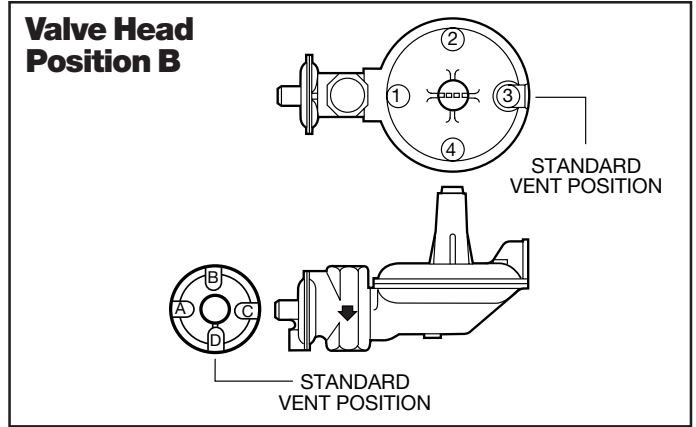
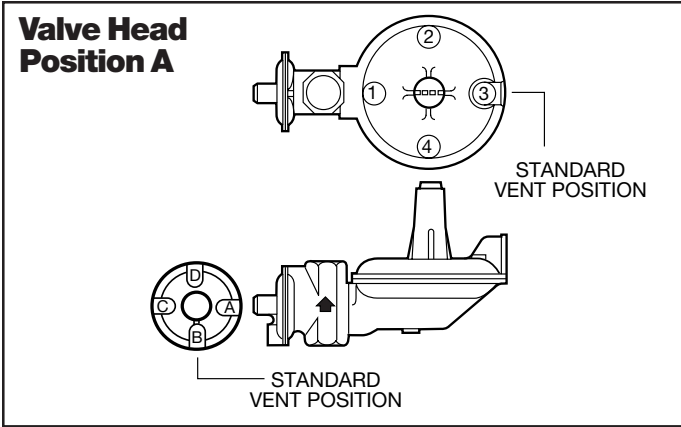
High Pres. Model Numbers	Description	Dimensions				
		A	B	C	D	*E
2003	Standard Regulator	18.19"	3"	1.75"	16"	10.5"
2003M	Standard Monitor Regulator	18.19"	3"	1.75"	16"	10.5"
2023	Underpressure Shutoff	18.19"	3"	1.75"	16"	10.5"
2083	Overpressure Shutoff	18.19"	3"	5.62"	19.87"	10.5"
2083M	Overpressure Shutoff with Monitor	18.19"	3"	5.62"	19.87"	10.5"
2093	Overpressure and Underpressure Shutoff	18.19"	3"	5.62"	19.87"	10.5"

*A 10" flange valve head is an option; contact Sales Office for information.

Low Pressure**High Pressure**

Capacity information can be found in Bulletin SB 8540.

American Meter Regulator Assembly Positions



OPSO Shutoff Springs

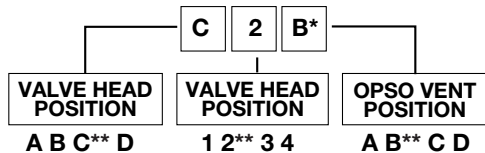
14" to 28" W.C.	70017P075	Red/Purple
1 PSI to 2 PSI	70017P076	Red/Brown
2 PSI to 3 PSI	70017P077	Purple
3 PSI to 5 PSI	70017P078	Orange/Yellow
5 PSI to 8 PSI	70017P079	Orange/Green
* 8 PSI to 14 PSI	70017P078	Orange/Yellow
* 14 PSI to 20 PSI	70017P079	Orange/Green

* To achieve these ranges, reducing ring 72646P001 must be used.

Regulator Springs

3.5" to 6" W.C.	71424P017	Red
5.5" to 8" W.C.	71424P018	Orange
8.5" to 14" W.C.	71424P019	Yellow
14.5" to 28" W.C.	71424P020	Green
1 PSI to 2 PSI	71424P021	Blue
1.5 PSI to 2.5 PSI	71424P026	Brown/Blue
2 PSI to 3 PSI	71424P022	Brown/Green
3 PSI to 5 PSI	71424P023	Black/Green

Regulator Assembly Number



* FOR MODELS USING OPSO ONLY.
 ** UNLESS OTHERWISE SPECIFIED, VALVE HEAD POSITION "C" WILL BE SUPPLIED.

Ordering Information

Model number: See "Available Models" table on front.
 Connection size: 1-1/2" screwed, 2" screwed, 2" flanged.
 Orifice size: 1/4", 3/8", 1/2", 5/8", 3/4", 7/8", 1", 1-1/4"
 Spring range: See "Regulator Springs" table.
 OPSO spring range, if required: See "OPSO Shutoff Springs" table.
 Regulator orientation: See above.



300 Welsh Road
 Building One
 Horsham, PA 19044-2234 U.S.A.
 Phone: 215/830-1800
 Fax: 215/830-1890



3037 Derry Road, West
 Milton, Ontario L9T 2X6 Canada
 Phone: 905/878-2361
 Fax: 905/878-5758

1-1/2" Series 1800 Capacity Data

SCFH Gas - 0.60 Specific Gravity

Orifice Size - All Models With Silver Holder								Inlet psi	Orifice Size - All Models With Silver Holder								SPRING NO.								
1-1/4"	1"	7/8"	3/4"	5/8"	1/2"	3/8"	1/4"		1-1/4"	1"	7/8"	3/4"	5/8"	1/2"	3/8"	1/4"									
SPRING NO. 71424P017								1/2	SPRING NO. 71424P018								5.5" to 8" w.c.								
2,000	1,600	1,300	1,100	900	550									1,900	1,550	1,300	1,100	1,000	600	Set: 7"					
2,850	2,300	2,100	1,800	1,400	1,100	750									2,750	2,300	1,850	1,800	1,300	1,150	700	Drop: 1"			
3,800	3,250	2,900	2,700	2,000	1,700	1,200									3,750	3,300	2,600	2,600	2,000	1,800	1,100	Max. Compound: 2" w.c.			
3.5" to 6" w.c.								3									4,500	3,900	3,300	3,200	2,500	2,100	1,300		
Set: 6" w.c.								5									5,700	5,100	4,300	4,000	3,400	2,950	1,800	1,000	
Drop: 1" w.c.								10									7,400	6,300	6,000	5,000	4,400	3,000	1,600		
Max. Compound: 2" w.c.								15									9,150	7,800	7,500	6,300	5,500	3,850	1,900		
								20									9,300	8,600	7,250	6,400	4,550	2,200			
								30									11,800	10,700	8,900	8,100	5,800	2,800			
								40									12,300	11,000	9,300	7,150	3,400				
								60									12,000	9,400	4,500						
								80									5,850								
								100									7,000								
								125									8,400								
SPRING NO. 71424P019								1	SPRING NO. 71424P019								8.5" to 14" w.c.								
2,800	2,300	1,900	1,800	1,300	1,100	750									2,550	2,100	1,700	1,500	1,300	700	Set: 14"				
4,300	3,500	2,800	2,500	2,000	1,700	1,200									3,800	3,200	2,600	2,400	1,900	1,500	1,000	Drop: 2" w.c.			
5,800	4,000	3,550	3,200	2,550	2,100	1,400									4,750	4,000	3,200	3,100	2,500	2,000	1,350				
8.5" to 14" w.c.								5									5,700	5,400	4,400	4,100	3,300	2,600	1,800	1,000	
Set: 11" w.c.								10									8,200	7,800	6,400	4,100	4,900	4,100	2,800	1,500	
Drop: 2" w.c.								15									9,400	8,000	7,600	6,250	5,200	3,700	1,900		
								20									9,600	8,800	7,500	6,200	4,300	2,200			
								30									12,200	11,100	9,400	8,000	5,600	2,800			
								40									12,800	11,200	9,300	7,100	3,300				
								60									13,800	12,300	9,400	4,500					
								80									14,000	11,800	5,700						
								100									7,000								
								125									8,200								
SPRING NO. 71424P020								3	SPRING NO. 71424P021								1 psi to 2 psi								
6,300	4,900	4,200	3,400	3,000	2,300	1,500									7,200	5,800	4,900	4,400	3,600	2,800	1,750	900	Set: 2 psi		
8,000	6,650	5,600	4,700	4,100	3,200	2,000	1,000									11,000	9,200	7,800	7,000	5,900	4,700	2,900	1,500	Drop: 0.4 psi	
11,000	9,400	8,100	7,000	6,300	4,900	2,800	1,500									13,000	11,500	9,750	8,700	7,600	6,300	3,800	1,900		
14.5" to 28" w.c.								20									14,900	12,800	11,900	10,800	9,500	7,400	4,700	2,200	
Set: 1 psi								30									15,400	14,850	13,300	12,100	9,500	6,000	2,800		
Drop: 6" w.c.								40									17,000	15,200	13,850	11,600	7,100	3,400			
								60									19,600	18,200	17,200	15,000	9,800	4,600			
								80									20,000	18,900	17,700	11,500	5,800				
								100									13,800	7,000							
								125									8,400								
SPRING NO. 71424P022								5	SPRING NO. 71424P023								3 psi to 5 psi								
4,100	3,400	2,900	2,900	2,000	2,000	1,300	750									7,000	5,600	4,800	4,800	3,700	3,100	2,200	1,200	Set: 5 psi	
7,600	5,800	5,000	5,000	3,500	3,500	2,200	1,400									9,500	7,600	6,200	6,200	4,800	4,200	3,000	1,850	Drop: 1 psi	
10,000	7,900	6,550	6,550	4,800	4,800	3,000	1,800									11,800	9,750	7,600	7,600	6,000	5,300	3,800	2,200		
2 psi to 3 psi								20									12,700	10,500	10,500	8,300	7,200	5,000	2,900		
Set: 3 psi								30									13,000	13,000	9,400	8,700	6,500	3,500			
Drop: 0.6 psi								40									17,000	17,000	12,700	12,000	8,900	4,900			
								60									20,000	15,500	15,500	10,850	6,200				
								80									12,700	7,500							
								100									8,100								
								125									8,100								
SPRING NO. 71424P026								5																	
4,050	3,400	3,400	2,800	2,300	1,800	1,400	800																		
7,200	5,800	5,000	4,500	4,700	2,800	2,200	1,200																		
8,640	7,400	6,300	5,800	5,800	3,500	3,000	1,600																		
1.5 to 2.5 psi								20																	
Set: 2.5 psi								30																	
Drop: 0.4 psi								40																	
								60																	
								80																	
								100																	
								125																	

For optimum performance, regulator should be operated above solid line. For UPSO Models, use only above dashed line.

Contact your American Meter representative for inlet pressures above 125 psi.

2" Series 1800 Capacity Data

SCFH Gas – 0.60 Specific Gravity

	Orifice Size For Models With Blue Holder – Without OPSO			Inlet psi	Orifice Size For Models With Silver Holder – Without OPSO					
	Orifice Size For Models With Silver Holder – With OPSO				Orifice Size For Models With Red Holder – With OPSO					
	1-1/4"	1"	7/8"		7/8"	3/4"	5/8"	1/2"	3/8"	1/4"
SPRING NO.	2,500	2,000	1,600	1/2	1,500	1,300	1,000	500		
71424P017	3,800	3,200	2,500	1	2,400	1,900	1,600	1,100	900	
	5,600	5,000	3,800	2	3,800	2,900	2,400	1,650	1,300	
3.5" to 6" w.c.				3	4,800	3,800	3,200	2,100	1,600	
Set: 6" w.c.	8,900	6,300	5,100	3	4,800	3,800	3,200	2,100	1,600	
	13,200	10,000	8,000	5	7,200	5,200	4,000	2,900	2,000	1,100
Droop: 1" w.c.		16,500	13,000	10	12,300	8,300	6,200	4,800	3,000	1,650
Max. Compound:				15	16,000	10,800	9,000	6,600	4,000	1,950
2" w.c.		20,000	20,000	20	19,000	15,700	11,700	8,000	4,600	2,300
				30	20,000	20,000	14,300	10,500	5,900	2,850
				40		20,000	18,500	13,000	7,200	3,400
				60				17,700	9,600	4,500
				80						5,850
				100						7,000
				125						8,400

	Orifice Size For Models With Blue Holder – Without OPSO			Inlet psi	Orifice Size For Models With Silver Holder – Without OPSO					
	Orifice Size For Models With Silver Holder – With OPSO				Orifice Size For Models With Red Holder – With OPSO					
	1-1/4"	1"	7/8"		7/8"	3/4"	5/8"	1/2"	3/8"	1/4"
SPRING NO.	1,900	1,600	1,400	1/2	1,300	1,050	1,000	500		
71424P018	3,400	2,700	2,300	1	2,100	1,800	1,600	1,050	750	
	5,600	4,400	3,800	2	3,500	2,700	2,400	1,600	1,250	
5.5" to 8" w.c.				3	4,500	3,600	3,200	2,100	1,500	
Set: 7" w.c.	8,500	6,000	5,000	3	4,500	3,600	3,200	2,100	1,500	
	13,000	10,000	8,000	5	7,000	5,000	4,000	2,900	2,000	1,000
Droop: 1" w.c.		15,700	13,000	10	11,500	8,300	6,200	4,800	3,000	1,600
Max. Compound:				15	15,000	11,500	9,000	6,400	4,000	1,900
2" w.c.		17,500	16,000	20	19,000	15,500	11,000	7,800	4,600	2,200
				30	20,000	20,000	14,000	10,300	5,900	2,800
				40		20,000	18,500	12,500	7,200	3,400
				60				17,400	9,600	4,500
				80						5,800
				100						7,000
				125						8,300

	Orifice Size For Models With Blue Holder – Without OPSO			Inlet psi	Orifice Size For Models With Silver Holder – Without OPSO					
	Orifice Size For Models With Silver Holder – With OPSO				Orifice Size For Models With Red Holder – With OPSO					
	1-1/4"	1"	7/8"		7/8"	3/4"	5/8"	1/2"	3/8"	1/4"
SPRING NO.	3,400	2,700	2,200	1	2,000	1,700	1,600	1,000	750	
71424P019	5,100	4,200	3,800	2	3,500	2,700	2,400	1,500	1,200	
	7,200	5,700	5,000	3	4,500	3,600	3,000	2,000	1,500	
8.5" to 14" w.c.				5	6,400	4,800	4,000	2,600	2,000	1,000
Set: 11" w.c.	11,500	8,500	7,100	5	6,400	4,800	4,000	2,600	2,000	1,000
	20,000	15,000	12,300	10	11,200	8,100	6,200	4,300	2,900	1,600
Droop: 2" w.c.		19,000	16,000	15	15,000	10,800	8,000	5,800	3,800	1,900
				20	18,000	13,300	10,800	7,400	4,300	2,200
				30	20,000	17,900	14,000	10,000	5,700	2,800
				40		20,000	18,000	12,300	7,000	3,300
				60			20,000	17,300	9,000	4,500
				80				20,000	11,800	5,700
				100						7,000
				125						8,200

	Orifice Size For Models With Blue Holder – Without OPSO			Inlet psi	Orifice Size For Models With Silver Holder – Without OPSO					
	Orifice Size For Models With Silver Holder – With OPSO				Orifice Size For Models With Red Holder – With OPSO					
	1-1/4"	1"	7/8"		7/8"	3/4"	5/8"	1/2"	3/8"	1/4"
SPRING NO.	2,700	2,200	2,000	1	1,800	1,500	1,500	900	750	
71424P019	4,500	3,800	3,100	2	3,000	2,300	2,100	1,400	1,100	
	6,000	5,300	4,200	3	3,800	3,200	2,700	1,800	1,400	
8.5" to 14" w.c.				5	5,600	4,400	3,600	2,500	1,800	1,000
Set: 14" w.c.	10,600	7,600	6,200	5	5,600	4,400	3,600	2,500	1,800	1,000
	19,000	14,100	11,600	10	9,800	7,400	5,800	4,000	2,800	1,600
Droop: 2" w.c.		19,000	16,300	15	14,300	10,000	7,900	5,500	3,700	1,900
				20	17,700	12,300	9,500	7,200	4,300	2,200
				30	20,000	17,400	15,000	9,800	5,600	2,800
				40		20,000	18,000	12,200	7,000	3,300
				60			20,000	17,300	9,000	4,500
				80				20,000	11,800	5,700
				100						7,000
				125						8,100

For optimum performance, regulator should be operated above solid line. For UPSO Models, use only above dashed line.

Contact your American Meter representative for inlet pressures above 125 psi.

2" Series 1800 Capacity Data

SCFH Gas – 0.60 Specific Gravity

Orifice Size For Models With Blue Holder – Without OPSO			Inlet psi	Orifice Size For Models With Silver Holder – Without OPSO						SPRING NO.
Orifice Size For Models With Silver Holder – With OPSO				Orifice Size For Models With Red Holder – With OPSO						
1-1/4"	1"	7/8"		7/8"	3/4"	5/8"	1/2"	3/8"	1/4"	
7,000	5,500	4,600	3	4,500	3,500	3,000	2,000	1,500		71424P020
10,000	7,700	6,900	5	6,400	5,000	4,100	2,700	2,000	1,100	14.5" to 28" w.c.
18,000	13,600	10,900	10	10,600	7,900	6,500	4,500	2,800	1,600	Set: 1 psi
	18,000	15,300	15	14,000	10,500	8,600	6,100	3,700	1,900	Droop: 6" w.c.
	20,000	20,000	20	17,200	13,000	10,500	7,600	4,300	2,300	
		20,000	30	20,000	18,000	14,000	10,300	5,600	2,800	
			40	20,000	20,000	18,000	12,600	6,700	3,400	
			60		20,000	20,000	17,400	9,300	4,700	
			80				20,000	11,500	5,800	
			100					13,800	7,000	
			125						8,400	

Orifice Size For Models With Blue Holder – Without OPSO			Inlet psi	Orifice Size For Models With Silver Holder – Without OPSO						SPRING NO.
Orifice Size For Models With Silver Holder – With OPSO				Orifice Size For Models With Red Holder – With OPSO						
1-1/4"	1"	7/8"		7/8"	3/4"	5/8"	1/2"	3/8"	1/4"	
7,600	6,000	5,300	5	5,200	4,600	3,600	2,600	1,800	1,000	71424P021
14,100	10,800	8,900	10	8,400	7,600	5,900	4,200	2,800	1,600	1 psi to 2 psi
20,000	15,100	12,600	15	11,800	10,300	7,600	5,800	3,700	1,900	Set: 2 psi
20,000	19,100	15,800	20	14,500	12,500	9,500	7,200	4,300	2,200	Droop: 0.4 psi
	20,000	20,000	30	20,000	16,800	13,100	9,800	5,600	2,800	
		20,000	40	20,000	20,000	17,300	12,200	6,700	3,400	
			60	20,000	20,000	20,000	17,200	9,000	4,600	
			80		20,000	20,000	20,000	11,500	5,800	
			100					13,800	7,000	
			125						8,400	

Orifice Size For Models With Blue Holder – Without OPSO			Inlet psi	Orifice Size For Models With Silver Holder – Without OPSO						SPRING NO.
Orifice Size For Models With Silver Holder – With OPSO				Orifice Size For Models With Red Holder – With OPSO						
1-1/4"	1"	7/8"		7/8"	3/4"	5/8"	1/2"	3/8"	1/4"	
5,400	3,600	2,900	5	3,200	2,700	2,500	1,600	1,200	800	71424P026
9,000	7,400	6,300	10	6,500	5,800	4,100	2,900	2,100	1,300	1.5 psi to 2.5 psi
13,100	10,300	9,400	15	9,000	6,300	5,800	4,000	3,100	1,600	Set: 2.5 psi
18,500	12,800	11,200	20	11,200	8,300	7,000	5,200	3,600	2,000	Droop: 0.4 psi
	19,300	17,500	30	15,500	13,100	10,400	7,600	5,100	2,600	
		22,700	40	22,700	17,800	13,000	9,200	6,400	3,200	
			60	22,700	25,900	21,600	14,400	8,900	4,400	
			80		18,400	24,100	19,100	11,600	5,600	
			100					13,400	6,800	
			125						8,200	

Orifice Size For Models With Blue Holder – Without OPSO			Inlet psi	Orifice Size For Models With Silver Holder – Without OPSO						SPRING NO.
Orifice Size For Models With Silver Holder – With OPSO				Orifice Size For Models With Red Holder – With OPSO						
1-1/4"	1"	7/8"		7/8"	3/4"	5/8"	1/2"	3/8"	1/4"	
4,100	3,400	3,200	5	3,000	3,000	2,000	2,000	1,300	750	71424P022
7,600	5,800	5,000	10	5,000	5,000	3,500	3,500	2,200	1,400	2 psi to 3 psi
10,800	8,000	6,600	15	6,600	6,600	4,800	4,800	2,000	1,800	Set: 3 psi
13,800	10,500	8,600	20	8,100	8,100	5,800	5,800	3,600	2,200	Droop: 0.6 psi
	14,200	12,800	30	10,800	10,800	8,000	8,000	4,800	2,900	
		17,000	40	14,300	14,300	10,000	10,000	6,000	3,500	
			60	20,000	20,000	14,500	14,500	8,400	4,800	
			80		20,000	19,300	19,300	10,900	6,200	
			100					13,300	7,500	
			125						8,100	

Orifice Size For Models With Blue Holder – Without OPSO			Inlet psi	Orifice Size For Models With Silver Holder – Without OPSO						SPRING NO.
Orifice Size For Models With Silver Holder – With OPSO				Orifice Size For Models With Red Holder – With OPSO						
1-1/4"	1"	7/8"		7/8"	3/4"	5/8"	1/2"	3/8"	1/4"	
8,000	6,300	5,100	10	5,100	5,000	3,800	3,100	2,200	1,200	71424P023
11,300	8,600	7,400	15	7,000	7,000	5,100	4,300	3,000	1,800	3 psi to 5 psi
14,500	11,000	9,200	20	8,700	8,700	6,500	5,300	3,800	2,200	Set: 5 psi
	15,100	12,800	30	12,100	12,100	8,800	7,400	5,000	2,900	Droop: 1 psi
		17,000	40	15,600	15,600	11,000	9,500	6,500	3,500	
			60	20,000	20,000	15,500	13,200	8,900	4,900	
			80		20,000	20,000	17,000	11,200	6,200	
			100					13,700	7,500	
			125						8,100	

For optimum performance, regulator should be operated above solid line. For UPSO Models, use only above dashed line.

Contact your American Meter representative for inlet pressures above 125 psi.

1-1/2" Series 2000 Capacity Data

SCFH Gas – 0.60 Specific Gravity

	All Models With Silver Holder Orifice Size								Inlet psi
	1-1/4"	1"	7/8"	3/4"	5/8"	1/2"	3/8"	1/4"	
SPRING NO.	7,000	5,900	4,350	4,350	4,000	2,900	1,900	1,000	5
71411P020	11,200	8,700	7,300	6,800	5,900	4,500	2,700	1,500	10
	12,200	10,600	7,900	7,900	7,650	5,800	3,700	1,800	15
1/2 psi to 1 psi	13,200	11,750	10,000	9,500	7,000	4,500	2,200		20
Set: 1 psi	15,800	14,200	12,300	10,100	9,000	5,700	2,800		30
Drop: 6" w.c.	15,600	13,900	14,200	10,600	7,100	3,300			40
			16,400	16,200	13,500	9,300	4,600		60
			18,200	18,000	15,400	12,000	5,900		80
						14,000	7,200		100
							8,500		125

	All Models With Silver Holder Orifice Size								Inlet psi
	1-1/4"	1"	7/8"	3/4"	5/8"	1/2"	3/8"	1/4"	
SPRING NO.	6,300	5,000	4,400	3,800	3,250	2,400	1,700	900	5
71411P021	10,500	8,400	7,150	6,500	5,350	4,100	2,700	1,400	10
	13,300	10,600	9,400	8,400	7,250	5,500	3,600	1,800	15
1 psi to 2-1/2 psi	15,200	13,500	11,200	10,000	8,900	6,800	4,350	2,200	20
Set: 2-1/2 psi	16,500	14,600	13,000	11,250	9,000	5,700	2,800		30
Drop: 1/2 psi	17,700	15,000	14,000	10,900	7,100	3,400			40
			18,300	17,500	13,700	9,600	4,600		60
			20,000	20,000	16,800	12,100	5,900		80
						14,200	7,200		100
							8,500		125

	All Models With Silver Holder Orifice Size								Inlet psi
	1-1/4"	1"	7/8"	3/4"	5/8"	1/2"	3/8"	1/4"	
SPRING NO.	10,400	8,000	6,600	6,200	4,800	4,000	2,400	1,300	10
71411P022	13,800	11,100	9,000	8,800	6,700	5,500	3,200	1,800	15
	16,300	14,200	11,200	10,700	8,300	7,000	4,000	2,200	20
2-1/2 psi to 5 psi	18,300	15,000	14,300	11,300	9,500	5,500	2,800		30
Set: 5 psi	19,500	17,200	14,900	11,800	6,700	3,400			40
Drop: 1 psi	20,000	20,000	19,000	15,800	9,200	4,600			60
			20,000	20,000	19,000	12,000	5,900		80
						14,200	7,200		100
							8,500		125

	All Models With Silver Holder Orifice Size								Inlet psi
	1-1/4"	1"	7/8"	3/4"	5/8"	1/2"	3/8"	1/4"	
SPRING NO.	10,000	8,250	7,000	6,300	5,000	4,000	2,800	1,500	15
71411P023	13,000	11,500	9,400	8,400	6,600	5,400	3,500	2,100	20
	16,100	13,350	12,000	9,700	7,700	5,200	2,800		30
5 psi to 10 psi	17,600	15,000	12,000	10,000	6,600	3,400			40
Set: 10 psi	20,000	20,000	17,800	13,800	9,100	4,600			60
Drop: 2 psi			20,000	20,000	17,300	11,700	5,900		80
						14,200	7,200		100
							8,500		125

	All Models With Silver Holder Orifice Size								Inlet psi
	1-1/4"	1"	7/8"	3/4"	5/8"	1/2"	3/8"	1/4"	
SPRING NO.	12,900	10,200	8,500	7,800	5,900	5,000	3,100	1,800	20
71411P024	15,800	12,900	12,300	9,250	7,800	4,900	2,800		30
	17,900	15,800	13,000	10,000	6,300	3,400			40
10 psi to 15 psi	20,000	20,000	18,300	14,800	9,100	4,600			60
Set: 15 psi			20,000	20,000	19,500	11,700	5,900		80
Drop: 3 psi						14,500	7,200		100
							8,500		125

2" Series 2000 Capacity Data

SCFH Gas – 0.60 Specific Gravity

	All Models With Blue Holder Orifice Size			All Models With Silver Holder Orifice Size					
	1-1/4"	1"	7/8"	3/4"	5/8"	1/2"	3/8"	1/4"	
	10,700	7,500	6,400	4,700	4,100	2,500	1,900	1,000	5
	18,100	12,900	10,300	7,400	6,500	4,100	2,800	1,500	10
	20,000	17,500	14,200	9,900	8,800	5,500	3,700	1,800	15
	20,000	18,100	18,100	12,000	10,800	6,800	4,500	2,200	20
	20,000	20,000	20,000	17,000	15,100	9,400	5,700	2,800	30
			20,000	20,000	19,200	11,800	7,100	3,400	40
				20,000	20,000	16,800	9,300	4,600	60
				20,000	20,000	20,000	12,100	5,900	80
						14,900	7,200		100
							8,500		125

	All Models With Blue Holder Orifice Size			All Models With Silver Holder Orifice Size					
	1-1/4"	1"	7/8"	3/4"	5/8"	1/2"	3/8"	1/4"	
	7,500	5,800	4,900	3,800	3,300	2,200	1,700	900	5
	13,800	10,200	8,300	6,800	5,400	3,800	2,700	1,400	10
	19,100	13,700	11,700	9,000	7,500	5,200	3,600	1,800	15
	20,000	17,400	14,300	10,800	9,500	6,400	4,350	2,200	20
	20,000	20,000	20,000	15,200	13,100	8,900	5,700	2,800	30
			20,000	19,300	16,700	11,100	7,100	3,400	40
				20,000	20,000	16,000	9,600	4,600	60
				20,000	20,000	20,000	12,100	5,900	80
						14,300	7,200		100
							8,500		125

	All Models With Blue Holder Orifice Size			All Models With Silver Holder Orifice Size					
	1-1/4"	1"	7/8"	3/4"	5/8"	1/2"	3/8"	1/4"	
	11,700	9,200	7,500	6,200	4,800	3,600	2,400	1,300	10
	16,800	13,000	10,800	8,800	6,700	5,000	3,200	1,800	15
	20,000	16,700	13,600	11,200	8,700	6,400	4,000	2,200	20
	20,000	20,000	18,900	15,500	12,000	9,000	5,500	2,800	30
			20,000	19,600	15,700	11,400	6,700	3,400	40
			20,000	20,000	20,000	16,000	9,200	4,600	60
				20,000	20,000	20,000	12,000	5,900	80
						14,600	7,200		100
							8,500		125

	All Models With Blue Holder Orifice Size			All Models With Silver Holder Orifice Size					
	1-1/4"	1"	7/8"	3/4"	5/8"	1/2"	3/8"	1/4"	
	10,700	8,700	7,400	6,200	5,000	3,700	2,800	1,500	15
	13,800	12,000	10,100	8,400	6,700	5,000	3,500	2,100	20
	17,700	15,000	12,300	9,800	7,300	5,200	2,800		30
			19,400	15,700	12,000	9,500	6,600	3,400	40
			20,000	20,000	18,300	13,400	9,100	4,600	60
				20,000	20,000	17,400	11,700	5,900	80
						14,400	7,200		100
							8,500		125